

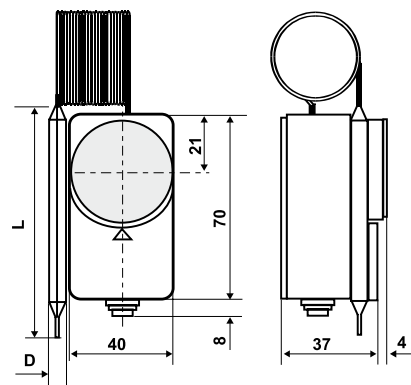
Thermostats with capillary and bulb for remote mounting

Thermostats with capillary to control the temperature in the boilers, in the air-conditioning and cooling systems, in household appliances, in electrical furnaces.



Dimensions (mm)

	L	D
C04A3	73,5	6,5
C04B3	65	5
C04C2	103	6,5
C04D2	103	6,5
C04E3	73,5	6,5



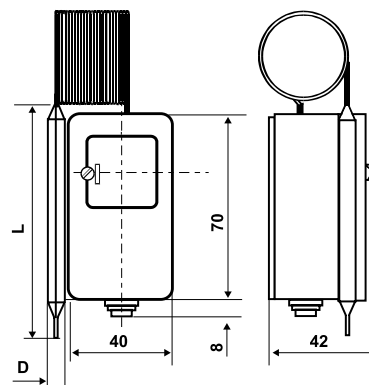
	Temperature range	Differential*	Calibration accuracy	Admissible body temperature	Maximum bulb temperature	Capillary length	Protection degree
C04A3	10 ÷ 90 °C	6 ± 1 K	± 3 °C	85 °C	150 °C	1 mt	IP40
C04B3	50 ÷ 300 °C	8 ± 2 K	± 3 °C	85 °C	350 °C	1,5 mt	IP40
C04C2	- 20 ÷ 40 °C	2 ± 0,5 K	± 2 °C	85 °C	80 °C	1,5 mt	IP40
C04D2	- 35 ÷ 20 °C	2 ± 0,5 K	± 2 °C	85 °C	80 °C	1,5 mt	IP40
C04E3	40 ÷ 120 °C	6 ± 2 K	± 3 °C	85 °C	150 °C	1 mt	IP40

Execution with internal regulation



Dimensions (mm)

	L	D
C04A3RI	73,5	6,5
C04C2RI	103	6,5



C04A3RI	10 ÷ 90 °C	6 ± 1 K	± 3 °C	85 °C	150 °C	1 mt	IP40
C04C2RI	- 20 ÷ 40 °C	2 ± 0,5 K	± 2 °C	85 °C	80 °C	1,5 mt	IP40

*The differential is subtracted from the range value. The differential values refer to a thermal gradient of 1K/hour in liquid and 4K/hour in air.

ELECTRICAL FEATURES

Two directions microswitch of instant action with AGcdO contacts.

Contact parameters in compliance with EN 60730-1:
15(6)A 250V~ 50Hz.

Parameters in compliance with EN 60947-5-1:

Nominal insulation voltage: U_i 380V~.

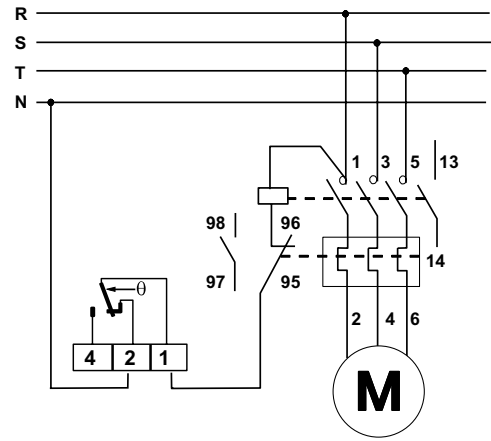
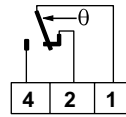
Nominal continuous current: I_{th} 15A.

Nominal operating current I_e 220V~ 250V~ 380V~

Resistive load AC-12 - 15A 10A

Inductive load AC-15 - 2,5A 1,5A

Direct current DC-13 0,2A - -



STANDARDS AND APPROVALS

Compliance with standards EN 60947-5-1, EN 60730-1



INSTALLATION

Wall mounting for the thermostat body.

The bulb with capillary can be mounted remotely and is provided with seal caps or copper casing with GC 1/2 connection.

OPERATION

When the temperature increases: 1-2 are opening, 1-4 are closing.

Liquid expansion function.

FEATURES

Sensing element with stainless steel diaphragm.

Copper bulb and capillary. Copper bulb and capillary, tinned for types C04C2 and C04D2.

Base in shock-proof self-extinguishing thermoplastic material V0.

Electrical connection output with PVC cable gland.

The storage and transport temperature corresponds to the thermostat's body admissible temperature.

Unit weight 0,16 Kg.

ACCESSORIES



303298LA

Cable gland G1/2 for connection output in shock-proof self-extinguishing thermoplastic material V0.



G28

Copper sheath Gc 1/2 PN10 bar, length 177mm, supplied with spring to fix the capillary.



G23

Seal cap Gc 1/2 PN10 bar, without sheath.

EXECUTION UPON REQUEST WITH SPECIAL TEMPERATURE RANGE

	Temperature (1) range °C	Scale (*) angle °C	Range in execution fixed calibration
C04A xx yy	0 ÷ 120	80	10 ÷ 80
C04B xx yy	10 ÷ 300	250	
C04C xx yy	-35 ÷ 60	60	- 20 ÷ 60
C04D xx yy	-35 ÷ 60	75	
C04E xx yy	10 ÷ 320	270	

NOTE:

Special temperature range is chosen in the range of temperature (1) and must always exceed the set value "scale angle" (*).

EXAMPLE:

C04 - 10/50, special execution C02, temperature range -10 ÷ 50°C, scale angle 60°C.